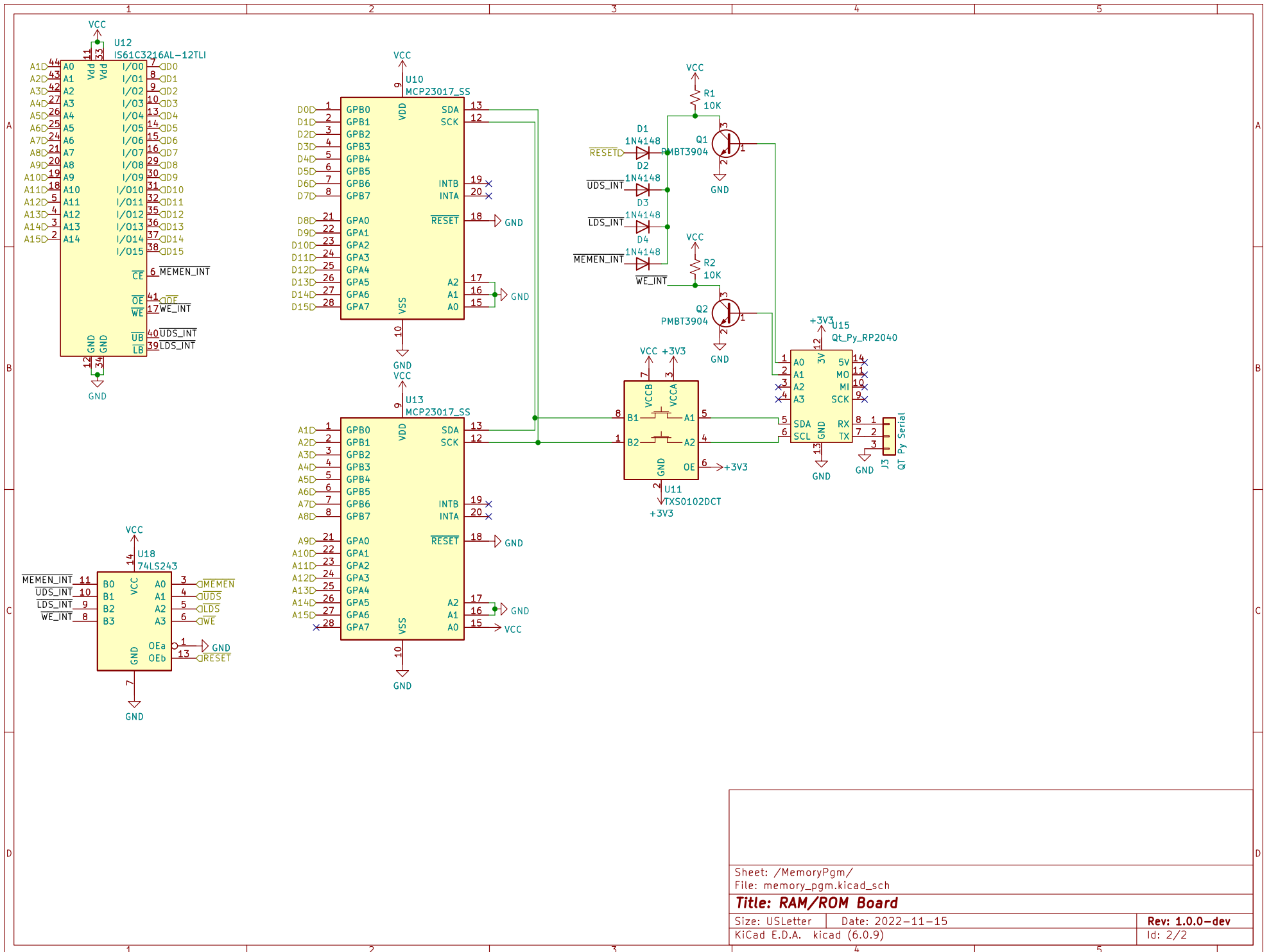


Sheet: /  
File: ram\_rom.kicad\_sch

**Title: RAM/ROM Board**

Size: USLetter | Date: 2022-11-15  
KiCad E.D.A. kicad (6.0.9)

Rev: 1.0.0-dev-4  
Id: 1/2



Sheet: /MemoryPgm/  
 File: memory\_pgm.kicad\_sch

**Title: RAM/ROM Board**

Size: USLetter Date: 2022-11-15  
 KiCad E.D.A. kicad (6.0.9)

Rev: 1.0.0-dev  
 Id: 2/2